

Ameron™

Contemporary Series 1C4 / 0C4 Octagonal Poles

Available in base plate and embedded styles

Our 1C4 and 0C4 poles are the ideal strength for street lighting, park and recreation areas, parking lots, area security and walkways. Application can be post top, side mounted or mast arm.

Features and Benefits

- Prestressed steel and highest quality concrete are centrifugally cast for ultimate strength, durability and vibration resistance
- Natural stone and terrazzo aggregates maintain a like new appearance with virtually no maintenance
- Conforms to applicable sections of ACI, AASHTO, ASTM, and IBC standards
- Exclusive 10-year warranty

Colors and Finishes

A wide range of standard, pre-formulated and custom colors are available. The concrete shafts are lightly blasted to expose the texture and color of the natural stone. See separate Aggregates and Finishes sheet for details. We offer Amershield™, a premium graffiti-resistant coating, as well as other durable sealers and protectants that further enhance colors, protect the concrete surface and aid in the removal of graffiti.

Durability with a classic touch.



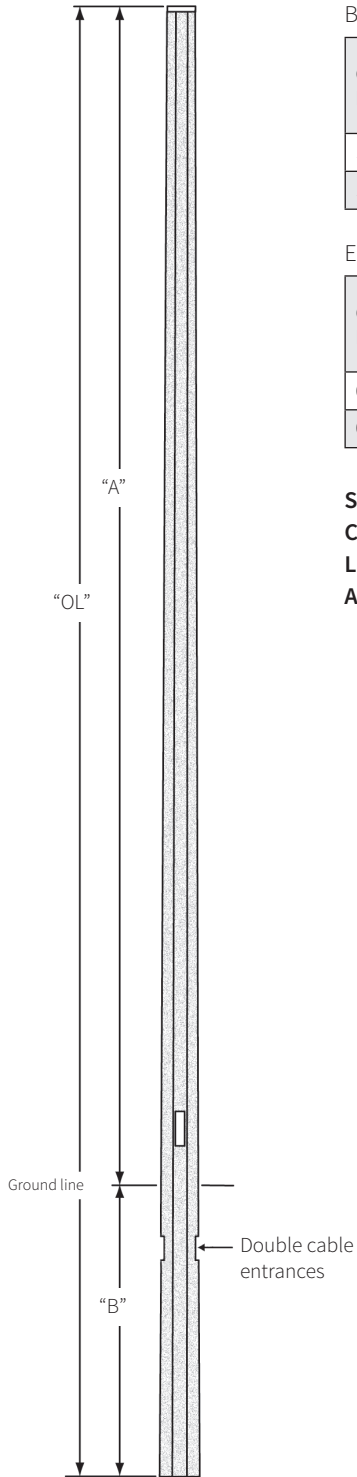
For further information contact us at: 1.800.552.6376



nov.com/poleproducts

Ameron™ Contemporary Series 1C4 / 0C4 Octagonal Poles

6" Top O.D. Across
The Flats



Base Plate Style - Information

Catalog Number	Pole Height "A"	Base O.D.	Anchor Bolt	Bolt Circle	Base Plate (SQ)	Ultimate G.L. Moment (ft. lbs.)	Pole Weight (lbs.)
1C431	31'-3"	10 ⁵ / ₁₆ "	1" x 36" x 4"	12 ¹ / ₂ "	12"	33,700	1,680
1C435	35'-3"	10 ¹³ / ₁₆ "	1" x 36" x 4"	15 ¹ / ₄ "	14"	39,600	1,980

Embedded Style - Information

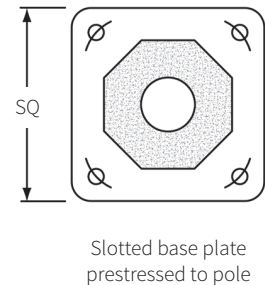
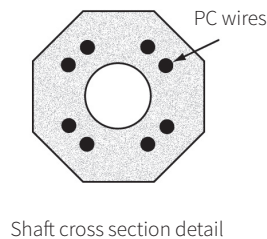
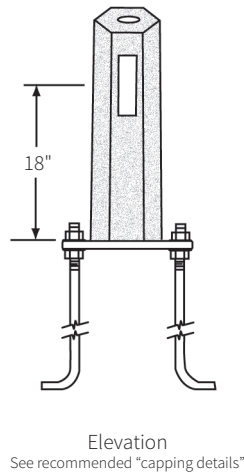
Catalog Number	Pole Height "A"	Bottom Dia.	Embedded Depth "B"	Overall Length "OL"	Ultimate G.L. Moment (ft. lbs.)	Pole Weight (lbs.)
0C431	25'-11"	10 ⁵ / ₁₆ "	5'-4"	31'-3"	29,900	1,630
0C435	29'-7"	10 ¹³ / ₁₆ "	5'-8"	35'-3"	32,000	1,930

Specifications: Use Contemporary Specifications.

Colors and finishes: See Contemporary Color Selection Guide.

Luminaire mounting: See technical-mounting options section for more information.

Anti-graffiti and sealer: Optional coatings available for added protection.



For further information contact us at: 1.800.552.6376

