

# Ameron Steel Small Cell Quick Select Guide

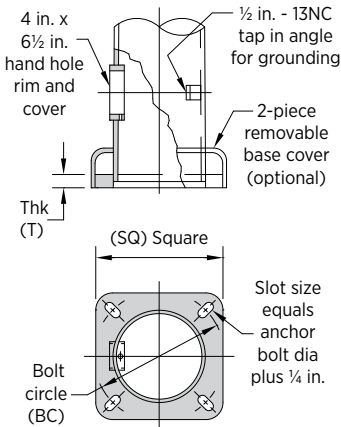
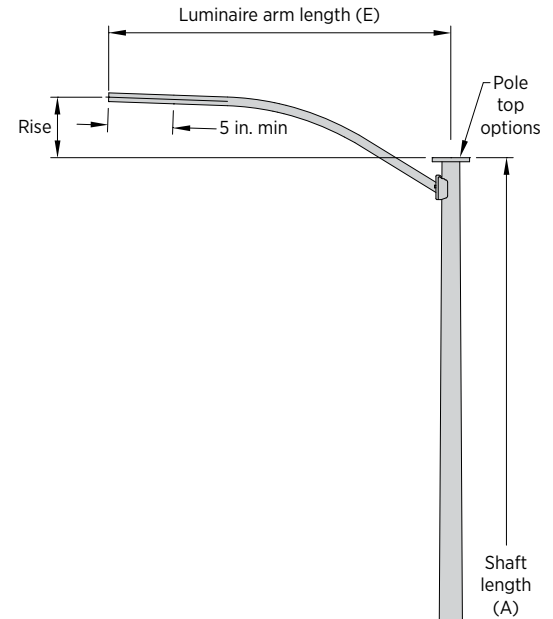
Complete the below with your requirements and submit to [Ameron@arcosa.com](mailto:Ameron@arcosa.com)

## Project name

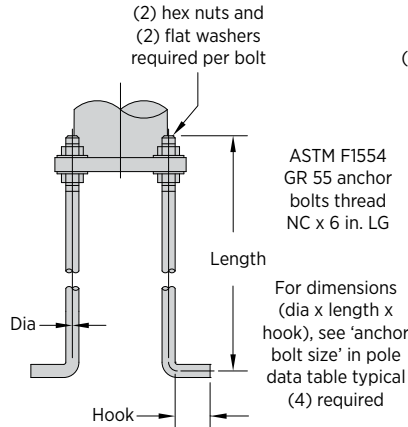
Project location \_\_\_\_\_  
 Contact name \_\_\_\_\_  
 Contact number \_\_\_\_\_  
 Contact email \_\_\_\_\_

## Shipping information

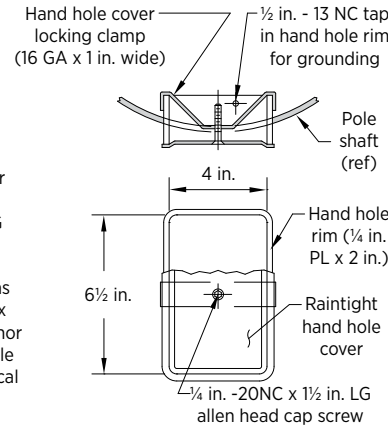
Address \_\_\_\_\_  
 \_\_\_\_\_  
 \_\_\_\_\_  
 City, State, Zip \_\_\_\_\_



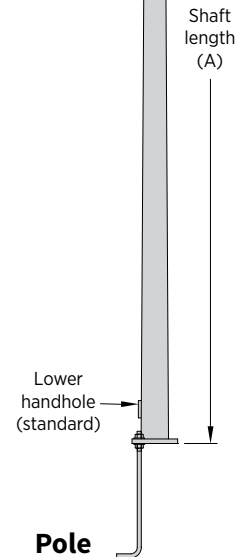
**Baseplate details**



**Standard anchor bolt**



**Standard hand hole**



**Pole**

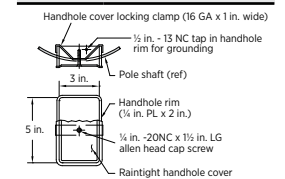
## Pole options

✓ Pole	Shaft length (A)	Shaft dimensions top OD x base OD x thk.	Base sq. (SQ)	Base b.c. (B.C.)	Base thk. (T)	Anchor bolt or rod dimensions*
<input type="checkbox"/> Ant - 21X	21 ft - 6 in.	4 1/4 in. x 7 3/16 in. x .179 in.	11 1/2 in.	11 1/2 in.	1 in.	1 in. x 36 in. x 4 in.
<input type="checkbox"/> Ant - 26X	26 ft - 6 in.	4 1/4 in. x 7 7/8 in. x .179 in.	11 1/2 in.	11 1/2 in.	1 in.	1 in. x 36 in. x 4 in.
<input type="checkbox"/> Ant - 31X	31 ft	4 1/4 in. x 8 1/2 in. x .179 in.	11 1/2 in.	11 1/2 in.	1 in.	1 in. x 36 in. x 4 in.

Pole designed to mount up to 10.0 SQ. FT. EPA 350LB total equipment in a 130MPH zone as dictated by AASHTO LRFD 2015 or ASCE 7-16. \*Default anchor bolt shown: foundation design is by others. Specific foundation designs may require alternative bolt requirements.

## Hand hole options

### Additional hand hole detail



Number needed \_\_\_\_\_

Elevation(s) of hand holes needed \_\_\_\_\_

Quantity of pole combination needed \_\_\_\_\_

## Luminaire arm options

✓ Arm length (E)	End OD x base OD x thickness	Rise
<input type="checkbox"/> 4 ft	2 in. schedule 40	0 ft - 9 in.
<input type="checkbox"/> 6 ft	2 in. schedule 40	1 ft - 6 in.
<input type="checkbox"/> 8 ft	2 in. schedule 40	1 ft - 6 in.
<input type="checkbox"/> No arm		

## Pole top options (pick one)

**Shaft top option A**

(4) 1 3/16 in. dia holes equally spaced on a 9 1/2 in. bolt circle for securing antenna mount  
 PL 1/2 in. x 1 1/2 in. dia

**Shaft top option B**

Open top

## Finish options

✓ Finish required
<input type="checkbox"/> Bare galvanized
<input type="checkbox"/> RAL 6005 (dark green)
<input type="checkbox"/> RAL 7035 (light grey)
<input type="checkbox"/> RAL 8019 (dark bronze)
<input type="checkbox"/> RAL 9005 (black)

**Submit**