

Ameron

Traditional Series

Goleta Poles

Available in base plate style

The curvilinear decorative base with a tapering octagonal shaft creates the perfect streetscape pole to complement a variety of traditional or modern architectural styles.

Our Ameron Traditional Series lighting poles combine the charm of yesterday with the technology of today. Available in a wide variety of styles, colors, and finishes, these poles provide architects and designers with many creative options.

Features and Benefits

- Prestressed steel and highest quality concrete are centrifugally cast for ultimate strength and durability
- Natural stone and terrazzo aggregates maintain a like-new appearance with virtually no maintenance
- Conforms to applicable sections of ACI, AASHTO, ASTM, and IBC standards
- Exclusive 10-year warranty

Colors and Finishes

A wide range of standard, preformulated, and custom colors are available. The concrete shafts are lightly blasted to expose the texture and color of the natural stone. See separate aggregates and finishes sheet for details. We offer Amerishield, a premium graffiti-resistant coating, as well as other durable sealers and protectants that further enhance colors, protect the concrete surface, and aid in the removal of graffiti.

Durability with a classic touch



Top OD
across the flats

Base plate style - Information

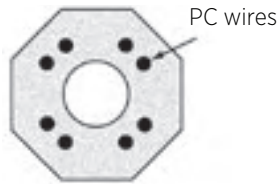
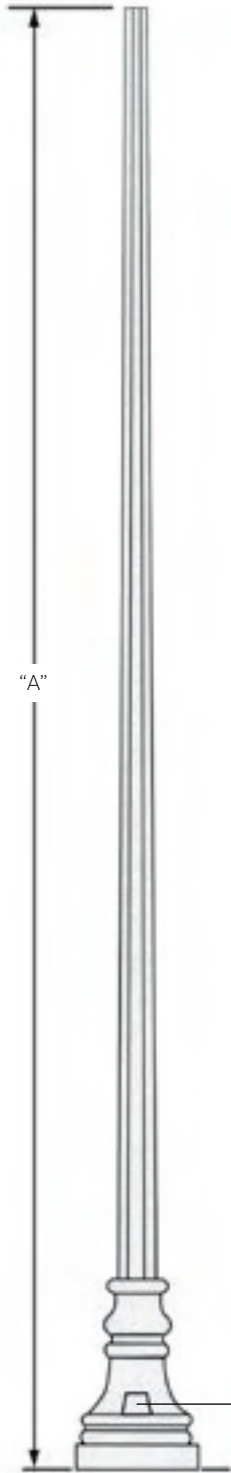
Catalog number	Pole height "A"	Top OD	Base OD	Anchor bolt	Bolt circle	Base plate (Sq)	Ultimate GL moment (ft/lb)	Pole weight (lb)
39CT29	29' 3"	6"	8.8"	1" x 36" x 4"	22.5"-25"	21"	30,000	1,800

Specifications: Use Contemporary specifications.

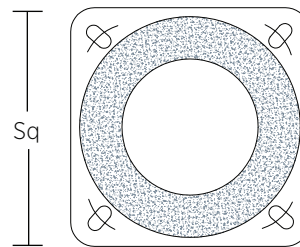
Colors and Finishes: See Contemporary color selection guide.

Luminaire Mounting: See technical-mounting options section for more information.

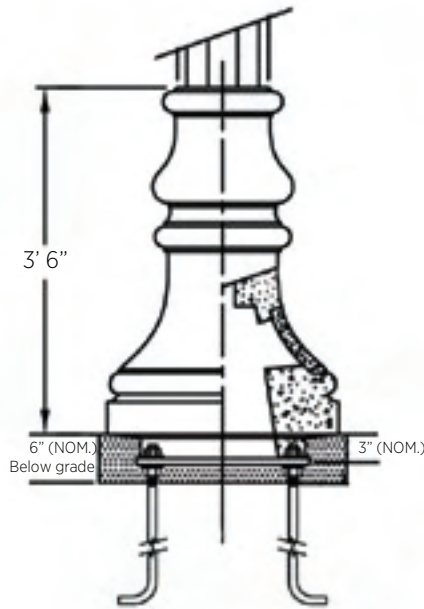
Anti-graffiti and sealer: Optional coatings available for added protection.



Shaft cross-section detail



Slotted base plate



39CT elevation
See recommended "capping detail"